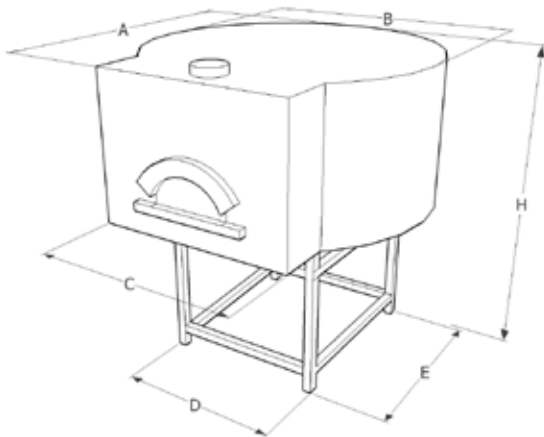


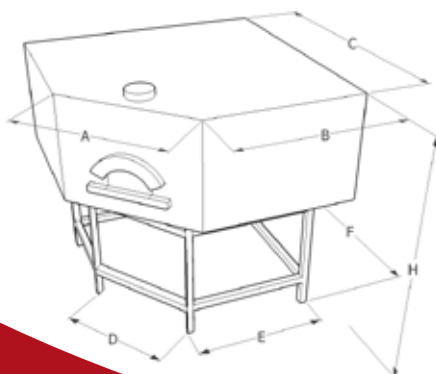
## round oven

Internal diameter	A	B	C	D	E	H	Weight	Number of pizzas (firewood)	Number of pizzas (gas)
80	115	115	80	90	90	190	600	2	
100	140	140	98	120	120	190	1200	4	6
120	160	160	110	140	140	200	2000	6	9
130	170	170	110	150	150	200	2200	8	11
140	180	180	110	160	160	200	2400	10	13
150	190	190	110	170	170	200	2500	12	15
170	215	215	120	190	190	200	3500	17	



## pentagonal oven

Internal diameter	A	B	C	D	E	F	H	Weight	Number of pizzas (firewood)	Number of pizzas (gas)
80	84	58	117	76	44	103	190	600	2	
100	81	78	135	76	71	121	190	1200	4	6
120	95	98	165	90	90	150	200	2000	6	9
130	95	105	170	85	98	156	200	2200	8	11
140	106	115	190	99	101	176	200	2400	10	13
150	106	120	195	99	106	180	200	2500	12	15
170	113	120	200	106	106	186	200	3500	17	



## External walls

Standard oven is shipped without any external covering, letting the final customer to complete it with any kind of material.

The oven is already perfectly insulated and the garment can be placed right on the iron walls.

Alternatively we can provide external finish made of bricks, tiles according to our customers' needs.

Some examples are shown below.

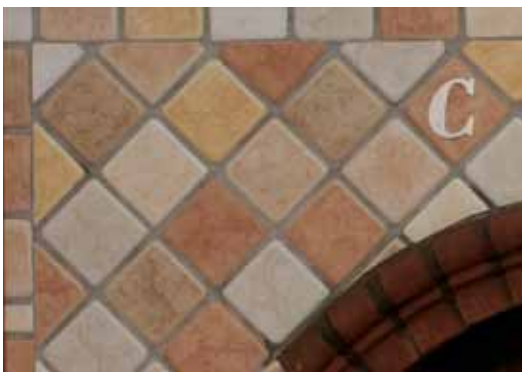
*red bricks*



*white bricks*



*10x10 tiles*



*golden leaf*



*no covering*



*Materials and finishings can be completely customized to match our customers' requests.*



25030 LOGRATO (BS) Italy - Via Industriale 21/23 - Tel. +39.030.9972249 - Fax +39.030.9972818

**[ceky@ceky.it](mailto:ceky@ceky.it) - [www.ceky.eu](http://www.ceky.eu) - [www.ceky.it](http://www.ceky.it)**